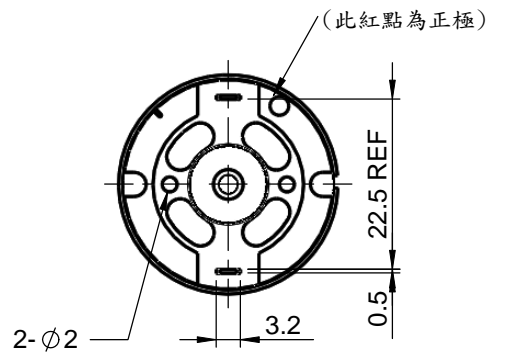
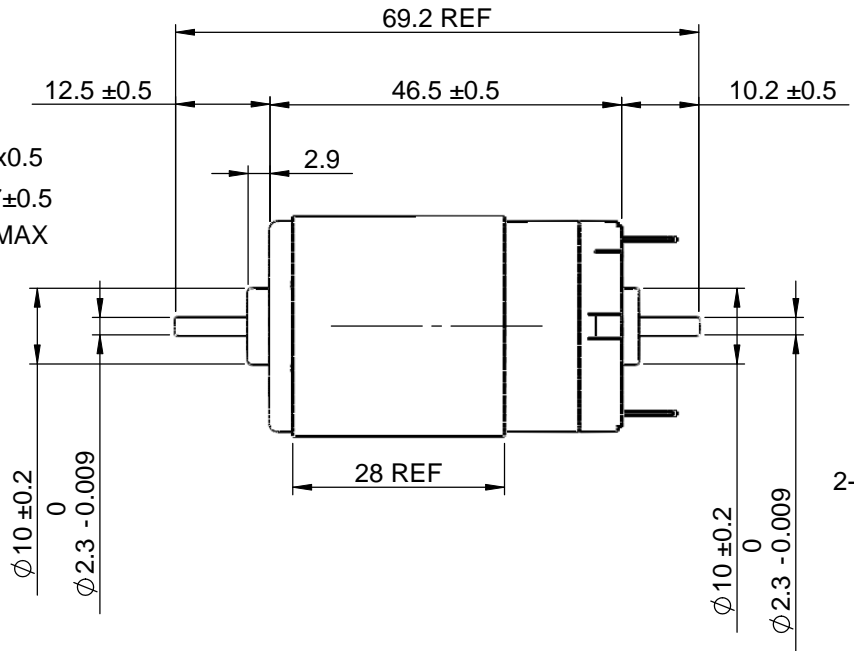
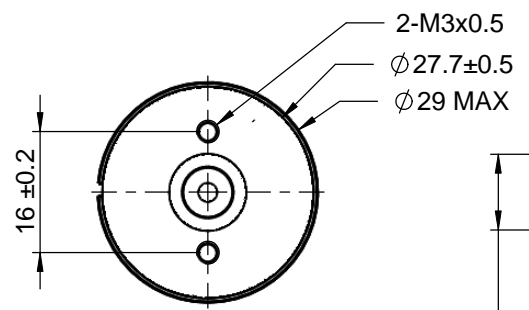


1 2 3 4 5 6

A

A

DIRECTION OF ROTATION



B

B

C

C

D

D

MODEL		NO LOAD		AT MAXIMUM EFFICIENCY					 THIRD ANGLE PROJECTION ALL DIMENSION ARE IN MM (UNLESS OTHERWISE SPECIFIED)	製圖 設計 審核 材料 完成時間	JOANNE	Cheshire Electric Company, LLC		
JD28-L003A067		SPEED	CURRENT	SPEED	CURRENT	TORQUE	OUTPUT	EFF			Part No	JD28-L003A067		
NOMINAL	24V DC	RPM	A	RPM	A	g-cm	W	%	繪製比例: 1:1	2012/2/16	Name	DC motor	REV. NO.	A
		6700	0.08	5719	0.46	129.29	7.76	69.34						

1 2 3 4 5 6